



Weyn-Lauwers N.V.

Industriepark-Noord 12
B - 9100 SINT-NIKLAAS

Tel. : 00 32 (0)3 776.34.13
Fax : 00 32 (0)3 778.09.52
weynlauwers@weynlauwers.be
www.weynlauwers.be

NEEDLE VALVE
SS 316 - bsp - 3000 psi
fig 523

DESIGN FEATURES

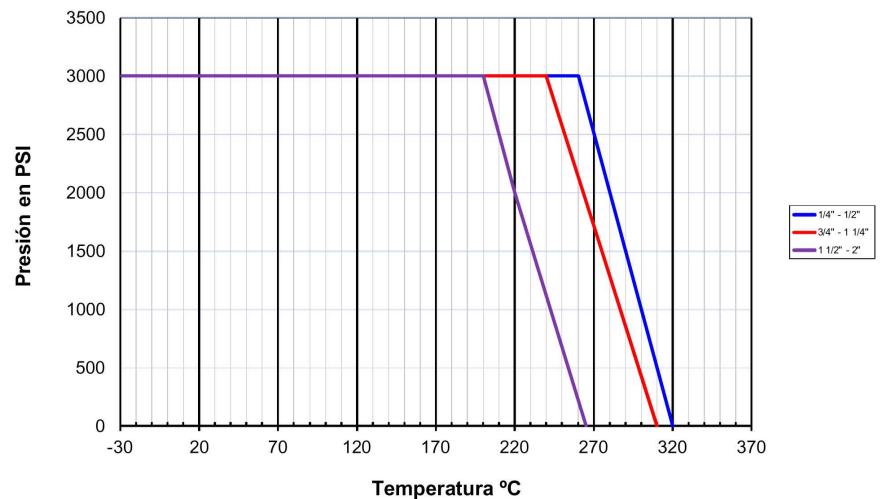
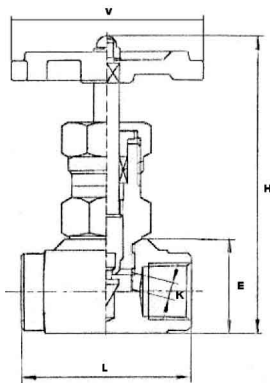
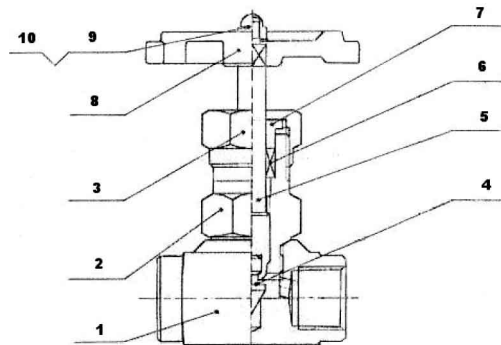
- needle valve 1/4"-2" PN220 / 3000 psi
- threaded BSP (NPT on request)
- 1/4" - 1/2" 3000 psi / 260°C
- 3/4" - 5/4" 3000 psi / 240°C
- 6/4" - 2" 3000 psi / 200°C

USE

- for common fluids
- max. pressure : 3000 psi

MATERIALS

item	Part name	Material
1	body	SS 316
2	bonnet	SS 316
3	nut	SS 316
4	needle	SS316 + stellite
5	stem	SS 316
6	stem packing	PTFE + graphite
7	packing nut	SS 316
8	handwheel	aluminium
9	nut	SS 304
10	washer	SS 304



SIZE (in mm)

DN	1/4"	3/8"	1/2"	3/4"	1"	5/4"	6/4"	2"
E	25	30	34	40	45	57	67	78
H	85	100	115	120	138	165	185	195
L	50	55	60	70	75	90	100	120
K	3	4	6	8	9	11	15	18
V	63	63	72	72	80	100	120	140
Kv (m ³ /h)	0,43	0,65	0,90	1,60	2,60	4,00	5,60	6,60
kg	0,26	0,36	0,53	0,76	1,18	1,85	2,90	4,70
ref.	207570	207571	207572	207573	207574	207575	207576	207577